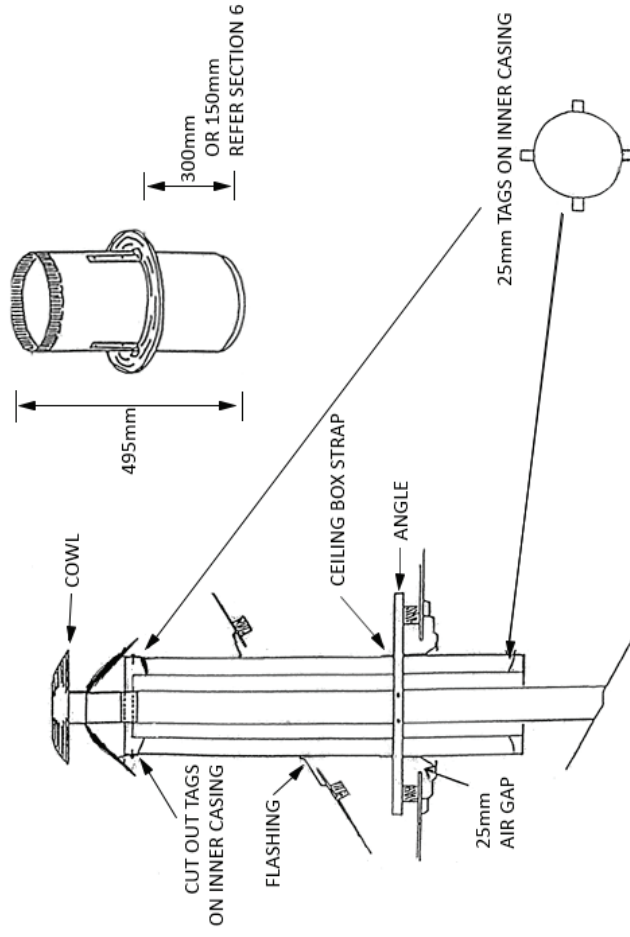


## ROOF FLASHING

- When flashing your Flue System on any type of metal roof it is recommended that you use a rubber Aquaseal or Deklite.
- On tiled roofs lead or other suitable flashing should be used.

## BEFORE YOUR FIRST FIRE

- All exposed Stainless Steel Flue should be cleaned with a Stainless Steel non-abrasive cleaner. This is important as any marks left on the Flue will not be able to be removed afterwards.
- When lighting your first fire test the Flue System with a few sheets of rolled up newspaper to make sure the Flue is clear and to cure all painted surfaces. Continue with a small fire until this has been achieved.



## FLUE KIT INSTALLATION GUIDE

Flue kits manufactured to Australian New Zealand Standard AS/NZS 2918:2018

You have recently purchased, or are about to install, an Air Diffusion Flue Kit.

### STAINLESS STEEL KIT

4 x Stainless Steel Inner Flue 900mm long  
1 x Stainless Steel Inner Flue 450mm long  
2 x Galvabond Inner Casing 900mm long  
2 x Galvabond Outer Casing 900mm long  
1 x Ceiling Box painted 500mm long  
1 x Ceiling Box Flange  
1 x Cowl  
2 x Angle Support Brackets  
1 x Installation Guide

### PAINTED STAINLESS STEEL KIT

3 x Painted Stainless Steel Flue 900mm long  
1 x Stainless Steel Flue 900mm long  
1 x Stainless Steel Flue 450mm long  
2 x Galvabond Inner Casing 900mm long  
2 x Galvabond Outer Casing 900mm long  
1 x Ceiling Box painted 500mm long  
1 x Ceiling Box Flange painted  
1 x Cowl  
2 x Angle support Brackets  
1 x Installation Guide

### PERFORATED STAINLESS STEEL KIT

2 x Perforated Flue 900mm long  
4 x Stainless Steel Flue 900mm long  
1 x Stainless Steel Flue 450mm long  
2 x Galvabond Inner Casing 900mm long  
2 x Galvabond Outer Casing 900mm long  
1 x Cowl  
1 x Ceiling Box painted 500mm long  
1 x Ceiling Box Flange painted  
1 x Locating Ring  
2 x Angles Support Brackets  
1 x Installation Guide

Before commencing installation please read the following Installation Guide thoroughly.

Above are the three different styles of kits available. Follow the instructions through to step 12 then continue with the instructions to suit your style of kit.

**IT IS STRONGLY RECOMMENDED THAT INSTALLATION ONLY BE CONDUCTED BY A QUALIFIED WOOD HEATING INSTALLER.**

## INSTRUCTIONS

1. Locate the Heater in accordance with Australian New Zealand Standard AS/NZS 2918:2018 and as per manufacturer recommendations.
2. Position Heater to ensure Flue Pipe is clear of all obstructions. To mark centre on ceiling use a Plumb Line to centre the Flue Pipe.
3. Cut hole in ceiling to allow a minimum clearance of 25mm all the way around the Ceiling Box.
4. Cut hole in roof to allow a minimum clearance of 25mm all the way around the outer Casing.
5. Fix Angle Supports to the ceiling timbers with a distance between the Angles to suit the Ceiling Box.
6. Fix Ceiling Box into position with crimp end facing towards the roof. Ceiling Box must penetrate a minimum distance of 300mm into the room or 150mm into the room if the heater output is less than 25kW.
7. Push Ceiling Flange over the Ceiling Box making sure it is level to the ceiling and fix straps into the Ceiling Box.
8. Fit the crimped Galva bond Outer Casing over the end of the Ceiling Box, with crimp facing up.
9. Fit the 2 Inner Flues together. On both ends cut 4 x 25mm tags and bend, to face up.
10. Lower the Inner Casing down into the Ceiling Box. The end with 8 tabs bent, to face up.
11. Fit the remaining Outer Casing into the Flue system.
12. Flash around and seal the Outer Casing where it penetrates the outside roof. Ensure that the Casing is suitably braced.

*Follow the instructions to suit your style of kit.*

**STAINLESS STEEL FLUE KITS** - Join the lengths of Stainless Steel Flue together, crimped end must always face down.

**PERFORATED STAINLESS STEEL KIT** - Place the Locating Ring over the Flue Collar with edge facing up. Join Stainless Steel Flue together, crimped end must always face down. Perforated Flue must be fitted at the same time with crimp facing up. Slide Perforated Flue through the Ceiling Box lowering the base into the Locating Ring.

**PAINTED STAINLESS STEEL KIT** - Join the lengths of 3 x Painted Stainless Steel Flue together, crimped end must always face down. Fit the 2 x Unpainted Stainless Steel Flue to the top length of Painted Flue.

## INSTRUCTIONS cont..

13. Make sure that crimped end or smaller end of flue fits into the heater. All joints between sections of flue pipe shall be push fitted so the upper section enters the lower section the crimped section must face down. The sections shall be secured by at least 3 fasteners spaced approximately equally around the joint so as to prevent unintentional or accidental separation.
14. The top length of the Flue should finish ensuring that it fits into the Cowl Stem by 25mm. Active Flue or Outer Casing will require cutting for this to happen. Flue height must comply with Australian New Zealand Standard AS/NZS 2918:2018.
15. Inner casing must finish just below the outer casing and all crimped sections must face up to prevent outside water entering the flue system.
16. Cut 4 x 25mm tags in the top length of Outer Casing to allow the Flue System to ventilate.
17. Fit cowl over the Flue and Casing and secure tags.

## WARNINGS

- **Please note that this Installation Guide may not apply in all situations. Some houses have high roofs therefore extra Flue may be required.**
- **Before commencing installation it is recommended that you check with your local council regarding any regulations which may apply to installations of this type.**
- **If installation of Flue Kit and Heater do not comply with Australian New Zealand Standard AS/NZS 2918:2018 it would not comply with the Australian Building Code.**
- **Installations that do not comply are considered unsafe and are a fire hazard. It is extremely dangerous to install a Flue Kit that does not comply with the Australian Standard.**
- **It is recommended that a professional Chimney Sweeper checks your Flue Pipe regularly for Soot build up and also to conduct general maintenance.**