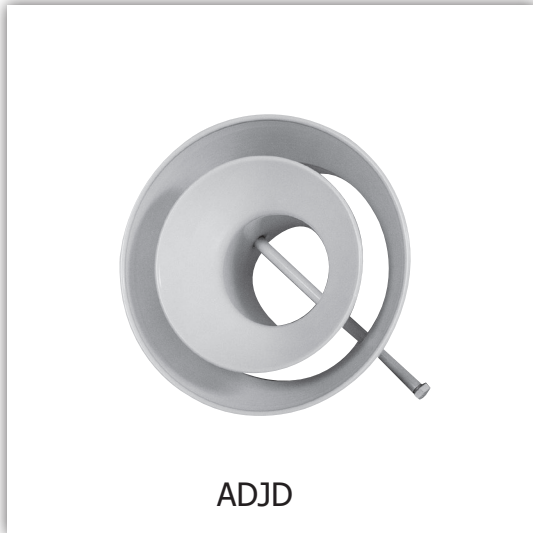
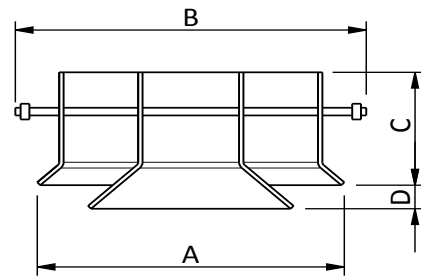


## JET DIFFUSER Model ADJD



### DESIGN DETAILS (mm)



### STOCK SIZES (mm)

DIA	A	B	C	D
200	185	200	90	15
250	215	250	115	15
300	265	300	115	20
350	315	350	115	20
400	360	400	115	30
500	435	500	115	25

Exact dimensions listed.  
500dia has 3 cones (centre cone sits 35mm lower than measurement D)

### APPLICATIONS

Jet Diffusers are an attractive option for air conditioning large areas.

The cone shape is designed to handle large air velocities and create exceptionally long throws.

Ideal for high ceilings Jet Diffusers are highly effective in large areas like warehouses, shopping centres and sports halls.

Fully adjustable and interchangeable between 'jet' and 'diffuse' positions.

A popular choice for exposed duct ceilings.

### FEATURES

Jet Diffusers also available with flanged spigot (see page 46).

Jet diffuser banks available for mounting multiple diffusers into a plenum box or plate. With multiple diffusers, several areas within a large radius can be targeted effectively from a single installation.

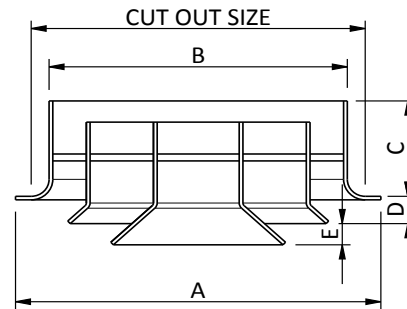
Supplied with locking nuts to facilitate fixing to existing duct.

Standard finish powder coat satin white.

## JET DIFFUSER IN FLANGED SLEEVE Model ADJDN



### DESIGN DETAILS (mm)



### APPLICATIONS

The Jet diffuser mounted in a flanged sleeve is an attractive option for air conditioning large areas.

The cone shape is designed to handle large air velocities and create exceptionally long throws.

Ideal for high ceilings, Jet Diffusers are highly effective in large areas like warehouses, shopping centres and sports halls.

Fully adjustable and interchangeable between 'jet' and 'diffuse' positions.

### FEATURES

Jet diffuser banks available for mounting multiple diffusers into a plenum box or plate. With multiple diffusers, several areas within a large radius can be targeted effectively from a single installation.

Supplied with locking nuts to facilitate fixing to existing duct.

Standard finish powder coat satin white.

### STOCK SIZES (mm)

DIA	A	B	C	D	E	CUT OUT SIZE
200	250	200	125	30	15	227
250	300	250	125	35	15	280
300	355	300	125	35	20	330
350	410	350	125	35	20	380
400	455	400	115	35	30	435
500	555	500	115	35	25	530

Exact dimensions listed.

500dia has 3 cones (centre cone sits 35mm lower than measurement E).



## JET DIFFUSER Model ADJD

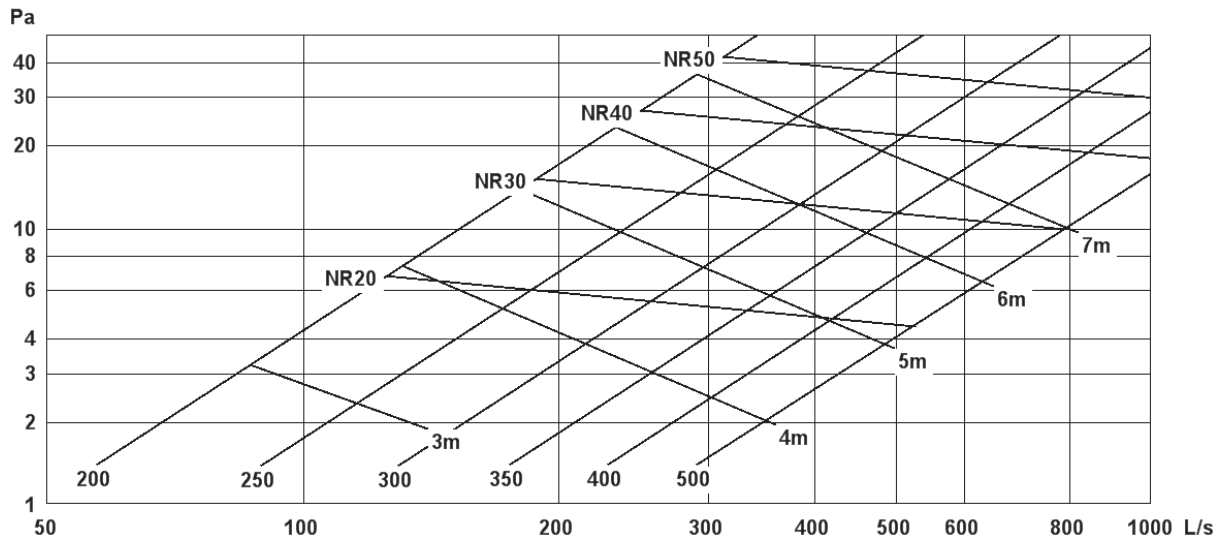
Jet Diffuser Connected Directly to Flexible Air Duct														
Diffuser			Throw (m) to terminal vel.		SOUND POWER LEVEL, dB re 1pW								NR	dB(A)
					Octave Band Centre Frequency, Hz									
Size	L/s	Pa	0.5m/s	0.25m/s	125	250	500	1000	2000	4000	8000			
200	120	6	3.7	5.9	46	38	41	36	32	25	27	26	31	
	210	19	5.5	7.6	55	51	53	55	48	43	41	45	47	
	250	27	6.0	8.2	59	57	58	63	56	51	56	53	55	
250	160	4	5.0	7.1	43	38	36	36	28	19	21	26	29	
	280	14	6.7	8.9	48	44	45	48	40	31	29	38	40	
	400	28	7.8	10.0	54	50	54	59	52	42	48	49	51	
300	240	5	5.2	7.4	43	34	34	36	27	26	28	26	29	
	420	15	6.9	9.1	50	44	43	47	39	34	32	37	39	
	600	30	8.0	10.2	57	53	52	58	51	41	47	48	50	
350	320	5	6.0	8.1	49	46	45	47	39	30	32	37	39	
	560	14	7.7	9.8	54	51	50	53	45	36	38	43	45	
	900	37	9.2	11.3	60	57	57	61	53	43	49	51	53	
400	400	5	5.3	7.5	44	37	38	36	27	26	28	26	30	
	700	15	7.0	9.2	51	47	46	48	38	34	32	38	40	
	1000	31	8.1	10.3	59	56	55	59	50	41	47	49	51	
500	500	4	4.2	5.2	37	31	31	29	19	19	21	19	23	
	875	12	6.0	7.5	47	43	42	43	34	30	28	33	36	
	1200	25	7.0	8.6	58	55	55	58	49	41	42	48	50	
Jet Diffuser Connected Directly to Cushion Head														
350	320	11	5.3	7.4	60	54	54	57	49	39	42	47	49	
	560	34	7.0	9.2	64	59	59	63	55	45	43	53	55	
	700	88	8.5	10.6	67	61	62	66	58	48	54	56	58	
400	400	7	4.6	6.8	46	39	37	41	31	26	29	31	33	
	700	21	6.3	8.5	56	51	50	53	44	37	36	43	45	
	1000	43	7.4	9.6	67	63	62	66	57	49	43	56	57	

**NOTE:**

1. The angle of discharge is 30° with or without cushion head, however with cushion head fitted, the principle direction is approximately 40° off the diffuser nozzle axis.
2. "Pa" is the in-duct total pressure one diameter upstream of diffuser spigot.
3. NR and dB(A) calculated with assumed 10dB deducts for room effect.

## JET DIFFUSER Model ADJD

### Jet Diffuser



#### Notes

Data for Jet Diffuser connected directly to flexible duct.

Throw (m) is to a terminal velocity of 0.5m/s.

Throw to a terminal velocity of 0.25m/s is approximately 40% of the above.