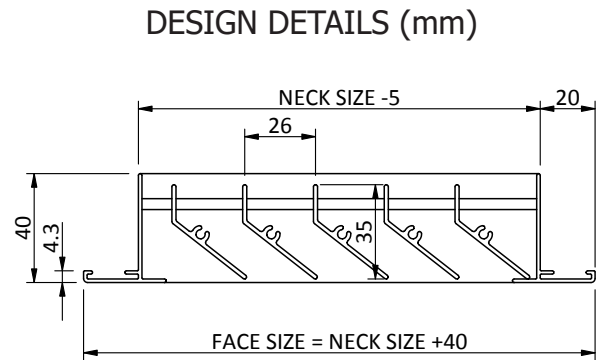


HALF CHEVRON FIXED CORE RETURN AIR GRILLE Model ADHC FC



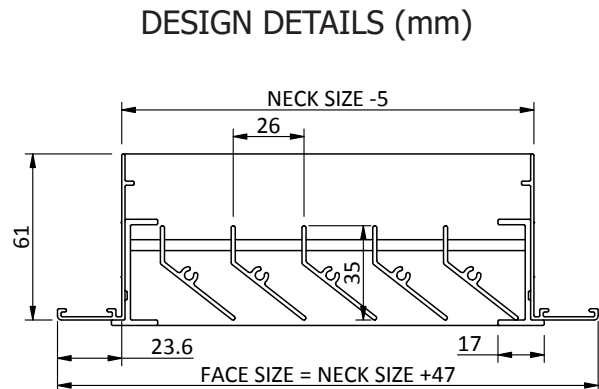
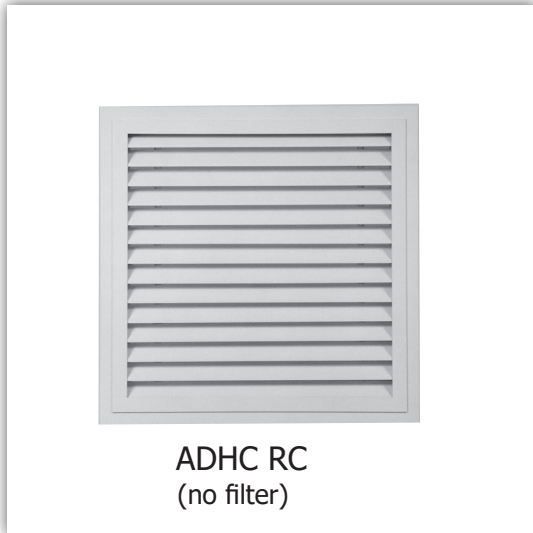
APPLICATIONS

Fixed core half chevron grilles are ideal for wall return or transfer air applications where a no-sight effect is to be achieved below eye level, the same can be achieved for above eye level by inverting the blade.

FEATURES

- Aluminium lightweight construction.
- Fixed core half Chevron.
- Blades set at 26mm centres.
- Approximate free area 60%.
- Standard finish powder coat satin white.

HALF CHEVRON WITH REMOVABLE CORE Model ADHC RC



APPLICATIONS

The removable core half chevron grille is ideal for wall return and transfer air applications where a no-sight effect is to be achieved below eye level, the same can be achieved for above eye level by inverting the blade.

The core is held in place by magnetic catches and can be easily removed for installation, cleaning and access behind register.

Very popular in commercial applications but also often used as a low level return air grille in domestic reverse cycle and ducted gas installations.

FEATURES

Aluminium lightweight construction.

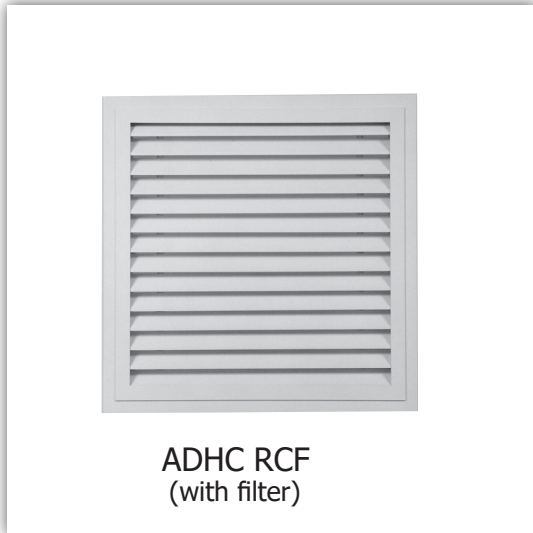
Clip out removable core for easy installation and access behind register.

Horizontal 45° Blades set at 26mm centres.

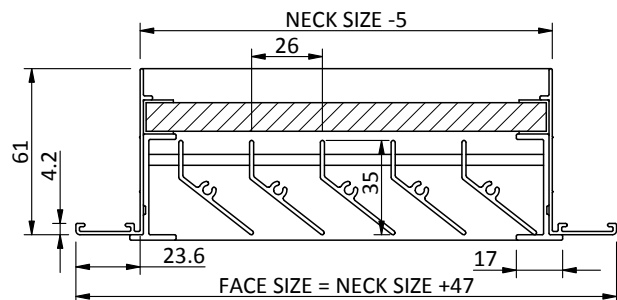
Approximate free area 60% - Grille only.

Standard finish powder coat satin white.

HALF CHEVRON WITH REMOVABLE CORE Model ADHC RCF



DESIGN DETAILS (mm)



APPLICATIONS

The removable core half chevron grille with filter is ideal for wall return and transfer air applications. A no-sight effect is achieved below eye level, and the same can be achieved for above eye level by inverting the blade.

The core is held in place by magnetic catches and can be easily removed for installation, filter cleaning and access behind register.

Some units indicate when the filter should be cleaned/changed depending on use. If not, we suggest at least every 6 months in domestic applications.

A clean filter can significantly impact the performance of the unit.

FEATURES

Aluminium lightweight construction.

Clip out removable core for ease of filter cleaning and access behind register.

Removable slide filter fitted to core.

Half Chevron's feature horizontal 45° Blades set at 26mm centres.

Approximate free area 60% - Grille only.

Standard finish powder coat satin white.

SELECTION GUIDE

Size (Nom)	Neck Area Sq.m	Max LS Based on 2.0 m.s.
450 x 600	0.25	350
450 x 750	0.337	438
500 x 900	0.45	584
450 x 1000	0.45	584
450 x 1200	0.54	702
550 x 1150	0.632	820

1297 l/s per m². Based on a clean filter.
Selection to be used as a guide only



HALF CHEVRON RETURN AIR GRILLE
Model ADHC FC

Air flow vs. neck area for various neck velocities

Size	300 x 300 600 x 150	450 x 300 900 x 150	600 x 300 900 x 200	750 x 300 600 x 375	900 x 300 600 x 450	1200 x 300 600 x 600	900 x 450 675 x 600	1200 x 450 900 x 600	900 x 900 1350 x 600	1000 x 1000 2000 x 500
Neck Area m ²	0.090	0.135	0.180	0.225	0.27	0.36	0.405	0.54	0.81	1.000
L/s 50	0.5					Neck Velocity - Meters/Sec (m/s)				
75	1.0	0.5								
100			0.5							
125		1.0		0.5						
150	2.0				0.5					
175			1.0			0.5				
200				1.0			0.5			
250	3.0	2.0			1.0			0.5		
300	4.0		2.0							
350	4.5	3.0				1.0				
400	5.0			2.0			1.0		0.5	
450		3.5								
500		4.0	3.0		2.0			1.0		0.5
600		5.0	4.0	3.0						
700			4.5	3.5	3.0	2.0			1.0	
800			5.0	4.0	3.5	2.5	2.0			
900				4.5	4.0	3.0	2.5			
1000				5.0	4.5	3.5	3.0	2.0		1.0
1500					5.5	4.5	4.0	3.0	2.0	
2000						5.5	4.5	4.0	3.0	2.0
2500							5.5	5.0	3.5	2.5
3000									4.0	3.0
3500									5.0	3.5
4000										4.0
5000										5.0



HALF CHEVRON RETURN AIR GRILLE
Model ADHC FC

Air flow vs. neck area for various static pressures

Size	300 x 300 600 x 150	450 x 300 900 x 150	600 x 300 900 x 200	750 x 300 600 x 375	900 x 300 600 x 450	1200 x 300 600 x 600	900 x 450 675 x 600	1200 x 450 900 x 600	900 x 900 1350 x 600	1000 x 1000 2000 x 500
Neck Area m ²	0.090	0.135	0.180	0.225	0.27	0.36	0.405	0.54	0.81	1.000
L/s 50	Static Pressure - Pa									
75	2.5									
100	7.5									
125	15	5	2.5							
150	22.5	5	5	2.5						
175	32.5	7.5	5	2.5	2.5					
200	40	7.5	5	5	2.5					
250	42.5	15	7.5	5	2.5					
300		17.5	10	7.5	5	5	2.5			
350		25	12.5	10	7.5	5	2.5	2.5		
400		32.5	17.5	10	10	5	5	2.5		
450		40	25	12.5	10	7.5	5	2.5		
500		50	32.5	17.5	10	7.5	5	5	2.5	
600			37.5	22.5	15	10	7.5	5	5	2.5
700				30	22.5	15	10	7.5	5	2.5
800					42.5	27.5	15	10	5	2.5
900					45	30	17.5	12.5	7.5	5
1000					50	35	20	15	10	5
1500						37.5	22.5	17.5	12.5	7.5
2000						75	50	37.5	20	15
2500									37.5	22.5
3000										50